

## ARS-82

Hinged system  
with thermal break.

The **ARS-82**, the most premium window in the ARS range, combines high thermal performance, minimalist design and production optimisation in a high value-added system.

Its 85 mm visible sash-to-frame section –the slimmest on the market for casement windows– maximises the entry of natural light and provides a clean, contemporary aesthetic.

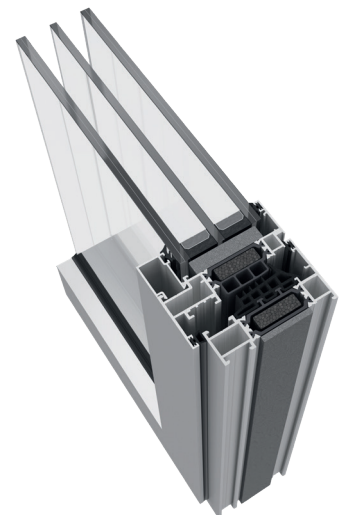
The **ARS-82** achieves an excellent  $U_f$  value of  $0.978 \text{ W/m}^2\text{K}$ , ensuring superior insulation even in demanding climates and facilitating compliance with the most stringent energy requirements. In addition, it is Passivhaus certified, confirming its suitability for Nearly Zero Energy Buildings (NZEB) projects and constructions built to the highest international performance standards.

It also incorporates comfort and functionality solutions such as micro-ventilation, concealed drainage and concealed hardware. Furthermore, its full compatibility with the ARS platform enables process standardisation, shared tooling and accessories, and improved workshop efficiency by reducing costs and stock.



### Features

- European groove
- 85 mm visible sash-to-frame section
- Thermal transmittance  $U_f$  from  $0.978 \text{ W/m}^2\text{K}$  with Passivhaus certification
- Option for concealed hardware and micro-ventilation
- Option for frame with concealed drainage
- 44 mm polyamide, central EPDM foam gasket and cellular polystyrene foams
- Security glazing block for load optimisation
- Full compatibility with the ARS platform for standardised manufacturing



# TECHNICAL FEATURES

## Design

The ARS-82 offers an 85 mm visible section, optimised to maximise the glazed surface area. It accommodates glazing thickness of up to 78 mm, increasing the entry of natural light and delivering a light, minimalist and contemporary aesthetic, ideal for projects seeking brightness and elegance.

## Features

Its structure, with 44 mm polyamide, a central EPDM gasket and cellular polystyrene foams, ensures superior thermal and acoustic insulation. It also incorporates a security glazing block that guarantees correct load transfer to the hardware, providing greater durability and reliability.

## Performance

The system achieves a thermal transmittance  $U_f$  from 0,978 W/m<sup>2</sup>K (Passivhaus-certified version) and  $U_w$  values of up to 0,999 W/m<sup>2</sup>K, providing thermal comfort even in demanding climates and reducing the building's energy demand. Its acoustic attenuation of 45 dB and AEV classification of Class 4/E1950/C5 ensure excellent performance under adverse weather conditions.

## Possibilities

The ARS-82 includes advanced options such as concealed hardware, micro-ventilation and a frame with concealed drainage, providing maximum versatility to meet any technical, aesthetic or functional requirement.



Max. recommended dimensions (LxH)*	1500x3000 mm/sash 1400x2600 mm/sash
Maximum recommended weight**	180 kg/sash
Maximum glazing	78 mm
Polyamide	44 mm
Thermal insulation $U_w$ ***	Up to 0,999 W/m <sup>2</sup> K
Thermal insulation $U_f$	0,978 W/m <sup>2</sup> K

Weather test results for a 2-sash window 1230x1480 mm  
 \* For a 1 sash window  
 \*\* Depending on the dimensions and type of opening  
 \*\*\* For a 1 sash window 1100x2200 mm

Air permeability ▶ Class 4



Watertightness ▶ Class E1950



Wind load ▶ Class C5



Acoustic insulation  $R_w$

45 dB<sub>(-1;-3)</sub>

