

ARS-62

Hinged system
with thermal break.

The **ARS-62** is the solution in the ARS range that combines efficiency, versatility, and contemporary design, ideal for projects seeking to optimise costs while maintaining a high level of performance. Its visible section of 85 mm, one of the smallest on the market for casement windows, maximises light entry and provides a clean, modern, and elegant aesthetic.

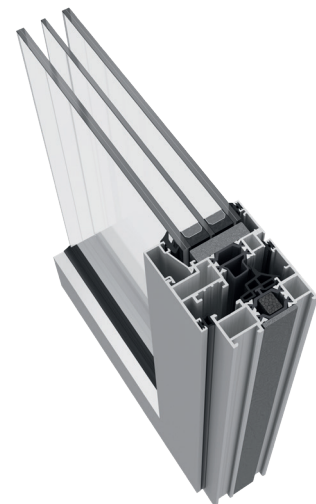
With a depth of 62 mm, the system makes optimal use of materials and integrates easily into any type of construction. Its thermal transmittance U_f of $2.0 \text{ W/m}^2\text{K}$ delivers advanced insulation, achieving an optimal balance between thermal efficiency and cost, positioning the **ARS-62** as an efficient alternative for moderately demanding climates.

It includes solutions such as micro-ventilation, concealed drainage, and optionally concealed hardware, improving comfort, functionality, and aesthetics. In addition, it is compatible with the ARS platform, enabling standardisation and efficient fabrication through shared tooling and accessories.



Features

- Euro groove hardware
- Visible sash-frame section of 85 mm
- Frame depth of 62.5 mm
- Concealed hardware and micro-ventilation option
- Option of concealed frame with drainage
- Thermal transmittance: $U_f = 2.0 \text{ W/m}^2\text{K}$
- 24 mm polyamide, EPDM central seal and cellular polystyrene foams
- Safety packer for load optimisation
- Full compatibility with the ARS platform for standardised fabrication



TECHNICAL FEATURES

Design

The ARS-62 features a depth of 62.5 mm and a visible section of 85 mm, optimised to provide maximum versatility on site. It allows glazing up to 58 mm thickness, enhancing natural light entry and providing a clean, contemporary aesthetic.

Features

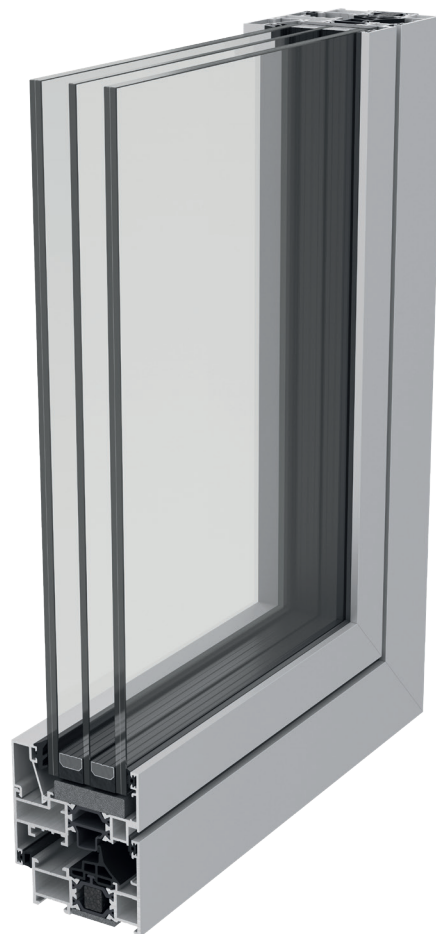
The system incorporates 24 mm polyamide, a central EPDM sponge gasket, and cellular polystyrene foams, together with a safety packer, ensuring watertightness, efficient thermal insulation, and correct load transfer to the hardware.

Benefits

With a thermal transmittance U_f of 2.0 W/m²K and U_w values of up to 0.9 W/m²K depending on configuration, the ARS-62 delivers a balanced performance between comfort and energy efficiency. Its acoustic insulation reaches up to 44 dB, while the AEV rating (Class 4/E2100/C5) guarantees safe and reliable performance under normal use conditions.

Possibilities

The ARS-62 provides solutions such as concealed hardware, micro-ventilation, and frames with concealed drainage, providing flexibility to adapt to different technical and aesthetic requirements.



Max. recommended dimensions (LxH)*	1500x3000 mm/sash 1400x2600 mm/sash
Maximum recommended weight**	180 kg/sash
Maximum glazing	58 mm
Polyamide	24 mm
Thermal insulation U_w ***	Up to 0,9 W/m ² K
Thermal insulation U_f	2,0 W/m ² K

Weather test results for a 2-sash window 1230x1480 mm
 * For a 1 sash window
 ** Depending on the dimensions and type of opening
 *** For a 1 sash window 1100x2200 mm

