

ESC

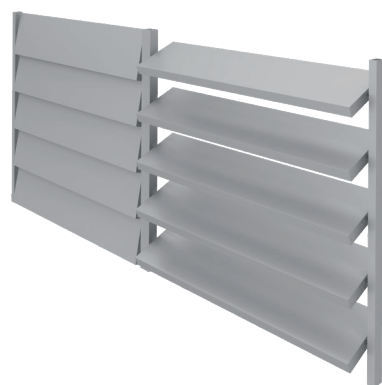
Solar control system.

Exlabesa's ESC solar control louvres offer a complete range of technical and functional solutions for solar control, bringing elegance and aesthetics to any building. These systems improve the thermal comfort of spaces and reduce energy costs by reducing the need for air conditioning. With their wide range of configurations and designs, they make it easy to create fully customised facades that modulate light and promote privacy.

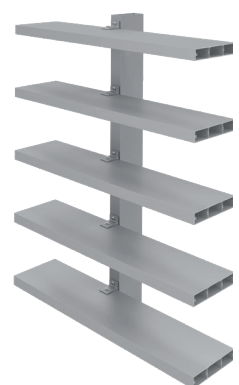


Features

- Made of aluminium: strong, lightweight and easy to maintain
- Flexibility and adaptability: wide range of formats, sizes and configurations
- Easy to install: unique large format slats with different anchoring options, depending on the project requirements
- Personalisation: infinite possibilities of colours and finishes



ADJUSTABLE SLAT



FIXED SLAT

TECHNICAL FEATURES

FIXED slat

Features

- Tubular aluminium slats with elliptical, rectangular or trapezoidal section
- Vertical or horizontal installation with both straight and swivelling installation
- Variable slat length depending on slat type and application
- Aluminium or stainless steel side cover kit

Applications and benefits

- Ideal for any façade or building envelope, both new and refurbished
- Provides uniform and constant protection from direct sunlight by controlling the incidence of sunlight and light penetration
- Easy assembly with single aluminium profiles and different anchoring and modulation options
- Straight-line aesthetics that integrate with any architectural design. Possibility of creating perfect continuity between the slats

ADJUSTABLE slat

Features

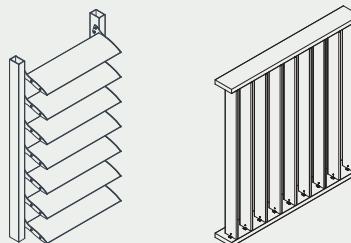
- Tubular aluminium slats with elliptical, rectangular or trapezoidal cross section
- Variable slat length depending on slat type and application
- Set of side covers made of lacquered aluminium or stainless steel
- Stainless steel axis and screws

Applications and benefits

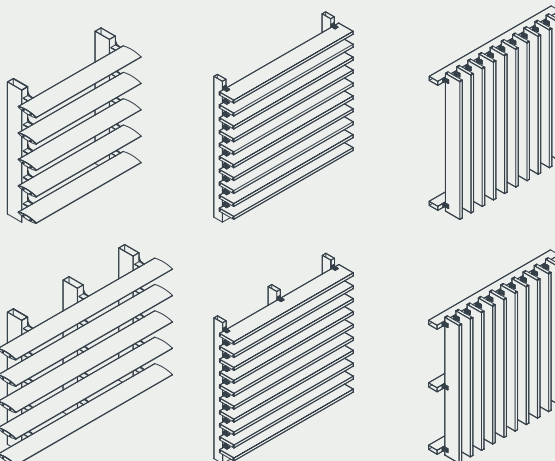
- Ideal for facades or envelopes that require precise control of solar exposure according to changing solar conditions throughout the day or season
- The slat inclination can be adjusted dynamically with the option of manual or motorised operation.
- Easy assembly with individual aluminium profiles on a frame
- Ability to integrate with building automation for fully automated control

INSTALLATION OPTIONS

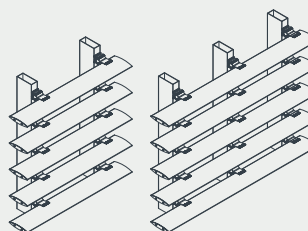
SLAT FIXED BETWEEN SUPPORTS



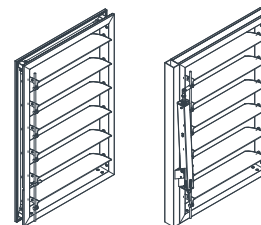
CONTINUOUS FIXED SLAT



FIXED SLAT ON ADJUSTABLE SUPPORT



MOBILE SLAT



MANUAL operation

MOTORISED operation

SLAT SECTIONS

