

Xlafold

High performance
bi-folding door system



Premium performance. Slim sightlines.

The Xlafold system has been designed to optimise both style and performance. To trade and aluminium fabricators, it offers a wide range of customisation configurations, it is easy and quick to fabricate (no sash extensions) and reduces accessories options to the very minimum.

Xlafold features also a 15 mm low threshold that allows a seamless transition to outdoor living with a superb aesthetics and a strong performance. This system maximises the glazed area thanks to its sleek, slimline sash profiles of only 55 mm which deliver maximum light appeal.

Fabricator friendly and cost-effective solution.

Thanks to its smart sash design, Xlafold eliminates the use of tricky sash extensions making its fabrication faster and easier comparing to other options in the market. Besides its new pre gasket bead guarantees also quick on-site installations.

Made in Britain. Standards compliance.

Xlafold is fully compliant with UK industry standards such as the new PART L requirements, it is BFRC/WER accredited, PAS-24 certificated and compliant with PART M accessibility criteria.

It is extruded and produced in Britain at our site located in Doncaster (South Yorkshire) where we operate 2 extrusion lines, 1 paint plant, 1 anodising plant and 1 state-of-the art polyamide assembly line.



Key features

- Internally beaded for security
- Open in and open out configurations available
- Slim sash without using profile extensions or add-ons
- French door opening configuration available
- Low threshold of only **15 mm**

PAS 24 Security

PART L

PART M

BFRC





LOW THRESHOLD option



Standard bottom OUTER FRAME

DESIGN AND PERFORMANCE

The new Xlafold bi-fold door features slim sightlines of only 120 mm. Its 15 mm low threshold version, ensuring full accessibility. The system delivers premium weather and thermal results making this door an ideal solution to any building project.

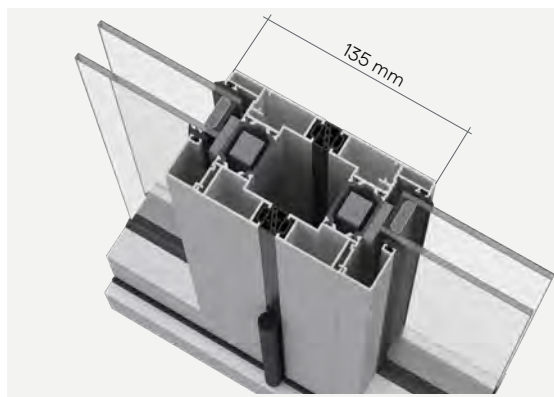
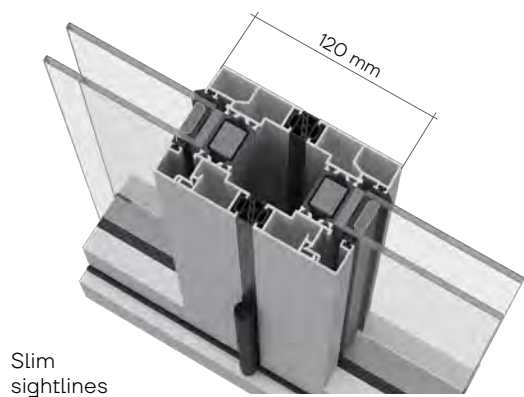
FEATURES AND POSSIBILITIES

Specifically designed to create functional, robust, and durable doors, it offers multiple installation options. From a open in door to configurations with up to 14 sashes and heights of 3 meters, the system adapts to any project requirement.



SLIM version

STANDARD version

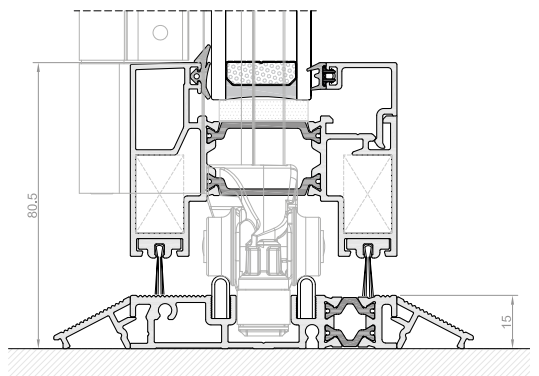


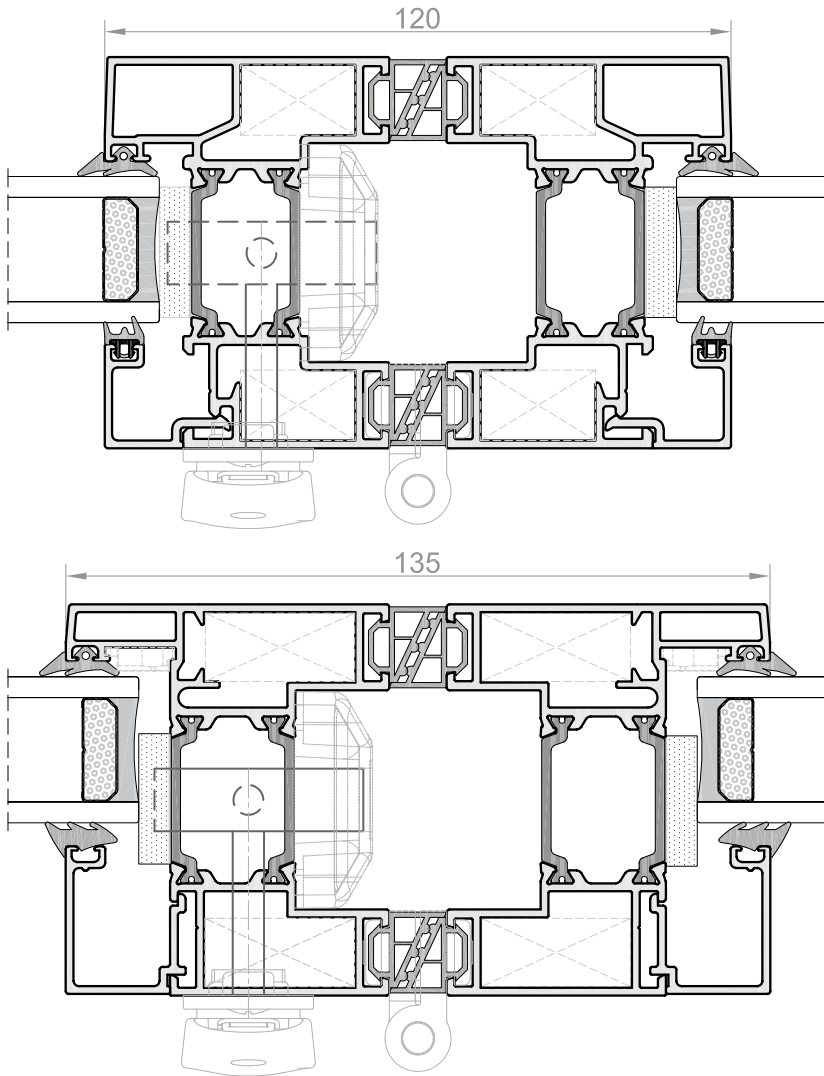


LOW THRESHOLD



15 mm low threshold solution allows seamless interior and exterior transitions



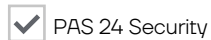


Maximum recommended dimensions per sash (WxH)* 1200x3000 mm

Maximum recommended weight per sash 120 kg

Maximum glazing thickness Double glaze - 1.4 W/m²K
Triple glaze - 1.2 W/m²K

*Check minimum/maximum configurations charts for details



Air permeability

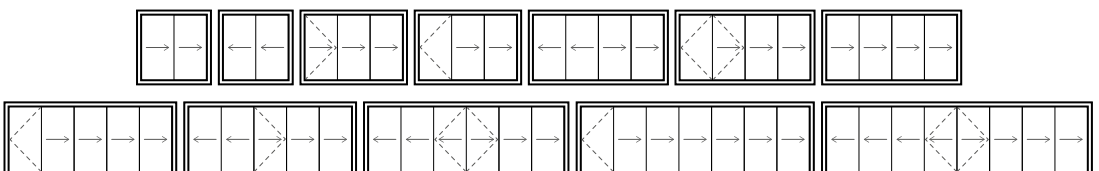
Class 3

Watertightness

8A

Wind load

C3





Exlabesa Building Systems Ltd.

Ogden Road - Wheatley Hills
DONCASTER DN2 4SG
Tel. +44 01302 762500 Fax +44 01302 762557
www.exlabesa.co.uk

QUALICOAT | ISO 9001 | PAS 24:2022

