

# KS59

Ultra-slim  
window system



## Ultra-slim sightlines.

The **KS59** casement window has been specially designed to provide a sleek and modern aesthetic to homes or commercial buildings, characterized by its ultra-slim aluminium sightlines of only 70 mm. This design maximizes the glass area, allowing an abundance of natural light to flood the interior.

This versatile aluminium system gives a distinctive appearance to any property, providing a selection of three sash design options and two outer frames. This range caters to various styles, from a modern and clean look to heritage or crittall-inspired designs.

The KS59 ensures high levels of performance and security, fully compliant with British regulations and tested to meet PAS 24 security standards. With two fixing options available – mechanical corner cleats or crimp cleats – it offers a quick and efficient fabrication process. Additionally, the system features a robust transom with screw ports for enhanced security and is compatible with a variety of accessories and add-ons.

All these features collectively make the new KS59 an optimal choice for those seeking a cost-effective and fabricator-friendly solution with a timeless and elegant design.



Massive. Beautiful.  
Efficient.

## Features

- Three sash design: flat, stepped or chamfered
- Two outer frame options: flush or standard
- U-value as low as **1,4 W/m<sup>2</sup>K**
- Top and side hung applications
- Mechanical corner cleats or crimping cleats
- Wide range of solutions: 90° angle, adjustable bay pole, 20 or 40 mm flush add ons, cills, coupler sections...

✓ PAS 24 Security

✓ PART L

✓ PART F





# EXLABESA

## ARCHITECTURE

### THREE SASH DESIGNS

Flat, stepped, or chamfered sash options allow for the creation of a spectrum of styles, ranging from modern and minimalist aesthetics to heritage and industrial casement designs.

### TWO OUTERFRAME OPTIONS

Available in two different design choices: with a stylish and contemporary casement aesthetic, or a new flush frame.



### DESIGN

The KS59 is an outstandingly versatile aluminium system with an ultra-slim sightlines of only 70 mm to maximise glass areas. It provides a large range of sashes and frames design combinations to create stylish and contemporary looks to both new build and refurbished projects.

### FEATURED SOLUTIONS

This aluminium system provides an extensive array of accessories and complements, encompassing Georgian bars, cills, trickle vents, bay pole, 90° corner, and flush add-ons of 20 and 40 mm.



## STANDARDS COMPLIANCE

Made in Britain to meet performance and security requirements of current Building Regulations.

PART L: U-Value as low as 1.4.

PART F: Adapted trickle bends available.

PAS 24 security certified.

## COST-EFFECTIVE

KS59 is a cost-effective and fabricator friendly window. Thanks to its innovative design using a transom screw port and mechanical corner cleat or crimping cleats it can be quickly and easily fabricated to meet tight deadlines.

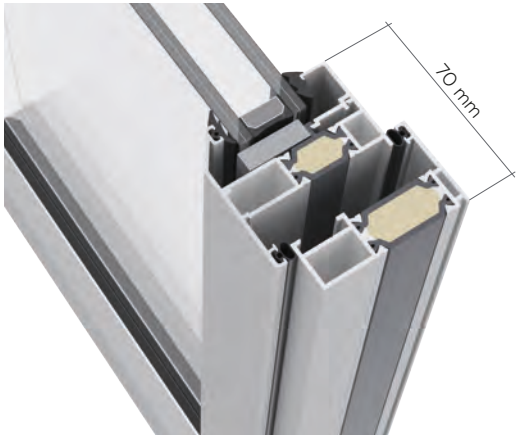


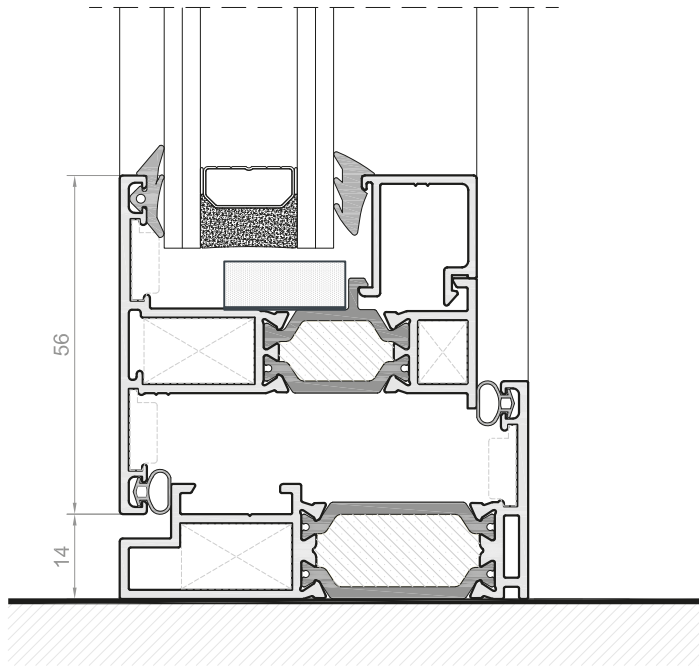


GEORGIAN BARS AVAILABLE



ULTRA-SLIM SIGHTLINES





Maximum sash size	1200x1500 mm top hung 600x1200 mm side hung
Maximum weight	50 kg
Maximum glazing	28 mm
U <sub>w</sub> value	1,4 W/m <sup>2</sup> K

PAS 24 Security

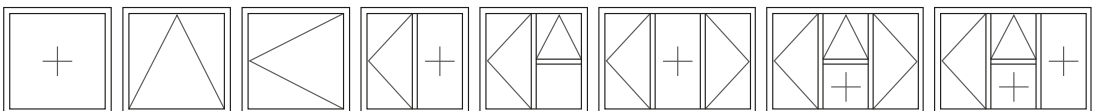
PART L

PART F

Air permeability  
**Class 4**

Watertightness  
**9A**

Wind load  
**C5**





**Exlabesa Building Systems Ltd.**

Ogden Road - Wheatley Hills  
DONCASTER DN2 4SG  
Tel. +44 01302 762500 Fax +44 01302 762557  
[www.exlabesa.co.uk](http://www.exlabesa.co.uk)

QUALICOAT | ISO 9001 | PAS 24:2016

