

KS59

Ultra-slim
window system



Ultra-slim sightlines.

The **KS59** casement window has been specially designed to provide a sleek and modern aesthetic to homes or commercial buildings, characterized by its ultra-slim aluminium sightlines of only 70 mm. This design maximizes the glass area, allowing an abundance of natural light to flood the interior.

This versatile aluminium system gives a distinctive appearance to any property, providing a selection of three sash design options and two outer frames. This range caters to various styles, from a modern and clean look to heritage or crittall-inspired designs.

The KS59 ensures high levels of performance and security, fully compliant with British regulations and tested to meet PAS 24 security standards. With two fixing options available – mechanical corner cleats or crimp cleats – it offers a quick and efficient fabrication process. Additionally, the system features a robust transom with screw ports for enhanced security and is compatible with a variety of accessories and add-ons.

All these features collectively make the new KS59 an optimal choice for those seeking a cost-effective and fabricator-friendly solution with a timeless and elegant design.



Massive. Beautiful.
Efficient.

Features

- Three sash design: flat, stepped or chamfered
- Two outer frame options: flush or standard
- U-value as low as **1,4 W/m²K**
- Top and side hung applications
- Mechanical corner cleats or crimping cleats
- Wide range of solutions: 90° angle, adjustable bay pole, 20 or 40 mm flush add ons, cills, coupler sections...

✓ PAS 24 Security

✓ PART L

✓ PART F



EXLABESA

ARCHITECTURE

THREE SASH DESIGNS

Flat, stepped, or chamfered sash options allow for the creation of a spectrum of styles, ranging from modern and minimalist aesthetics to heritage and industrial casement designs.

TWO OUTERFRAME OPTIONS

Available in two different design choices: with a stylish and contemporary casement aesthetic, or a new flush frame.



DESIGN

The KS59 is an outstandingly versatile aluminium system with an ultra-slim sightlines of only 70 mm to maximise glass areas. It provides a large range of sashes and frames design combinations to create stylish and contemporary looks to both new build and refurbished projects.

FEATURED SOLUTIONS

This aluminium system provides an extensive array of accessories and complements, encompassing Georgian bars, cills, trickle vents, bay pole, 90° corner, and flush add-ons of 20 and 40 mm.



STANDARDS COMPLIANCE

Made in Britain to meet performance and security requirements of current Building Regulations.

PART L: U-Value as low as 1.4.

PART F: Adapted trickle bends available.

PAS 24 security certified.

COST-EFFECTIVE

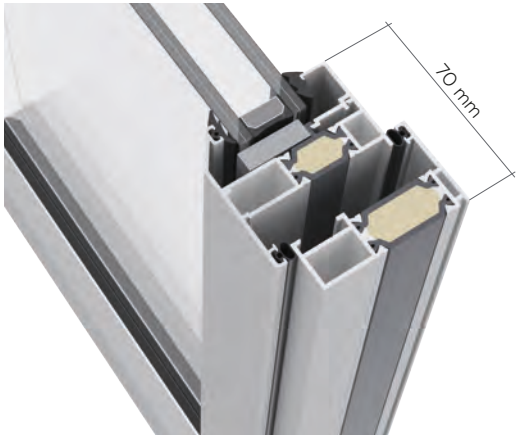
KS59 is a cost-effective and fabricator friendly window. Thanks to its innovative design using a transom screw port and mechanical corner cleat or crimping cleats it can be quickly and easily fabricated to meet tight deadlines.

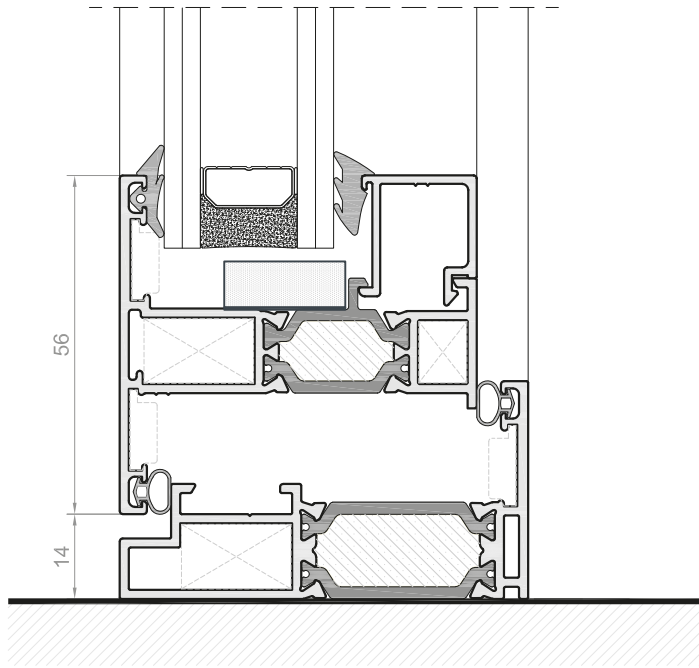


GEORGIAN BARS AVAILABLE



ULTRA-SLIM SIGHTLINES





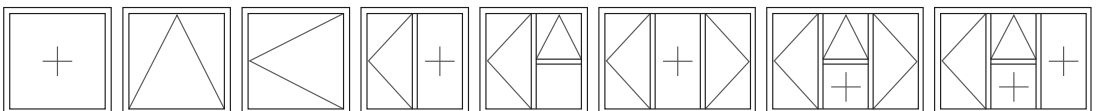
Maximum sash size	1200x1500 mm top hung 600x1200 mm side hung
Maximum weight	50 kg
Maximum glazing	28 mm
U _w value	1,4 W/m ² K

PAS 24 Security

Air permeability
Class 4

Watertightness
9A

Wind load
C5





Exlabesa Building Systems Ltd.

Ogden Road - Wheatley Hills
DONCASTER DN2 4SG
Tel. +44 01302 762500 Fax +44 01302 762557
www.exlabesa.co.uk

QUALICOAT | ISO 9001 | PAS 24:2016

